



PIGNONI TENDICATENA

CHAIN TIGHTENER SPROCKETS

KETTENSANNER

PIGNONS TENDEURS DE CHAÎNE

PIÑONES PARA CADENA





PIGNONI TENDICATENA

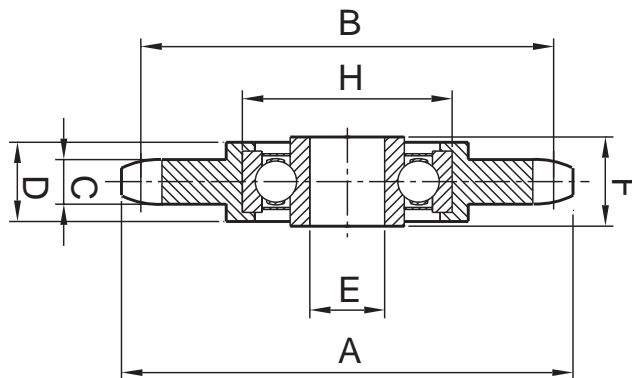
in Nylon 6÷30% FV completi di cuscinetto

CHAIN TIGHTENER sprockets with bearing in Nylon 6÷30% GF

KETTENSPELLNER mit Kugellager aus Nylon 6÷30% GF

PIGNONS TENDEURS de chaîne en Nylon 6÷30% FV avec palier

PIÑONES PARA CADENA completos con cojinete de Nylon 6÷30% FV



COD	P	Z	A	B	C	D	E	H	F
PG08Z18T12	8 x 3	18	42,20	46,07	2,80	16	16 ^{+0,130} _{+0,260}	32	10
PG38Z15T10	3/8"x7/32"	15	49,5	45,81	5,2	16	16 ^{+0,130} _{+0,260}	40	18
PG38Z15T16	3/8"x7/32"	15	49,50	45,81	5,30	16	16 ^{+0,01} _{+0,00}	40	18
PG38Z15T162	3/8"x7/32"	15	49,50	45,81	5,30	16	16 ^{+0,130} _{+0,260}	40	18
PG38Z21T10	3/8"x7/32"	21	67,60	63,91	5,30	16	10 ^{+0,01} _{+0,00}	30	9
PG38Z21T16	3/8"x7/32"	21	67,60	63,91	5,30	16	16 ^{+0,01} _{+0,00}	40	18
PG38Z21T162	3/8"x7/32"	21	67,60	63,91	5,30	16	16 ^{+0,130} _{+0,260}	40	18
PG12Z13T12	1/2"x5/16"	13	57,90	53,06	7,20	16	12 ^{+0,01} _{+0,00}	32	10
PG12Z16T10	1/2"x5/16"	13	69,90	65,10	7,20	16	10 ^{+0,01} _{+0,00}	30	9
PG12Z16T16	1/2"x5/16"	16	69,90	65,10	7,20	16	16 ^{+0,01} _{+0,00}	40	18
PG12Z16T162	1/2"x5/16"	16	69,90	65,10	7,20	16	16 ^{+0,130} _{+0,260}	40	18
PG12Z16T17	1/2"x5/16"	16	69,90	65,10	7,20	16	17 ^{+0,01} _{+0,00}	40	12
PG12Z17T10	1/2"x5/16"	17	74,00	69,11	7,2	16	10 ^{+0,01} _{+0,00}	40	18
PG12Z17T16	1/2"x5/16"	17	74,00	69,11	7,20	16	16 ^{+0,01} _{+0,00}	40	18
PG12Z17T162	1/2"x5/16"	17	74,00	69,11	7,20	16	16 ^{+0,130} _{+0,260}	40	18
PG12Z17T12	1/2"x5/16"	17	74,00	69,11	7,20	16	12 ^{+0,01} _{+0,00}	32	10
PG12Z18T16	1/2"x5/16"	18	78,00	73,14	7,20	16	16 ^{+0,01} _{+0,00}	40	18
PG12Z18T162	1/2"x5/16"	18	78,00	73,14	7,20	16	16 ^{+0,130} _{+0,260}	40	18
PG58Z15T12	5/8"x3/8"	15	83,20	73,36	9,10	16	12 ^{+0,01} _{+0,00}	32	10
PG58Z15T16	5/8"x3/8"	15	83,20	73,36	9,10	16	16 ^{+0,01} _{+0,00}	40	18
PG58Z15T162	5/8"x3/8"	15	83,20	73,36	9,10	16	16 ^{+0,130} _{+0,260}	40	18
PG58Z17T12	5/8"x3/8"	17	93,30	86,39	9,10	16	12 ^{+0,01} _{+0,00}	32	10
PG58Z17T16	5/8"x3/8"	17	93,30	86,39	9,10	16	16 ^{+0,01} _{+0,00}	40	18
PG58Z17T162	5/8"x3/8"	17	93,30	86,39	9,10	16	16 ^{+0,130} _{+0,260}	40	18
PG34Z13T16	3/4"x7/16"	13	87,8	79,59	10,8	16	16 ^{+0,01} _{+0,00}	40	18
PG34Z13T162	3/4"x7/16"	13	87,8	79,59	10,8	16	16 ^{+0,130} _{+0,260}	40	18
PG34Z15T16	3/4"x7/16"	15	99,80	91,63	10,8	16	16 ^{+0,010} _{+0,000}	40	18
PG1Z15T20	1"x17,02"	15	133,7	122,17	16,2	18	20 ^{+0,130} _{+0,00}	47	18