



COPPIE CONICHE



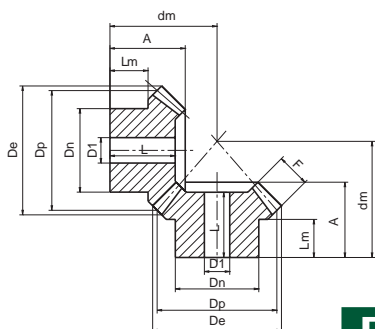
BEVEL GEAR PAIRS
KEGELRADGETRIEBE
COUPLES CONIQUES
PARES CONICOS



COPPIE CONICHE ad assi normali

angolo di pressione 20° in Nylon 6÷30% FV

BEVEL GEAR PAIRS WITH NORMAL AXES PRESSURE ANGLE 20° IN NYLON 6÷30% GF
 KEGELRADGETRIEBE MIT NORMALER ACHSE EINGRIFFSWINKEL 20° AUS NYLON 6÷30% GF
 COUPLES CONIQUES A AXES NORMAUX ANGLE DE PRESSION 20° EN NYLON 6÷30% FV
 PARES CONICOS DE EJES NORMALES ANGULO DE PRESIÓN 20° DE NYLON 6÷30% FV



Rapporto 1:1

Ratio 1:1 Verhältnis 1:1 Rapport 1:1 Relación 1:1

M 1

M 1.5

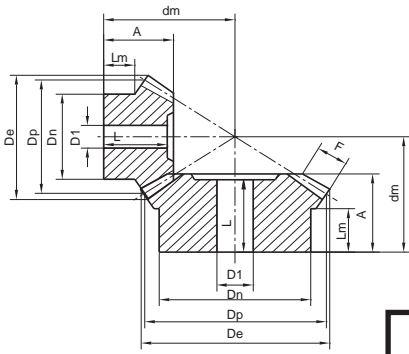
M 2

M 2.5

M 3

M 3.5

| Z | COD | De | Dp | A | F | Dn | D1 | dm | L | Lm |
|----|------------|------|------|------|----|----|----|-------|------|------|
| 16 | CN01016R01 | 17.8 | 16 | 14 | 4 | 13 | 5 | 18,59 | 14 | 9 |
| 16 | CN15016R01 | 25 | 24.0 | 18 | 6 | 20 | 8 | 25.1 | 17 | 8.9 |
| 20 | CN15020R01 | 32.1 | 30.0 | 20 | 8 | 22 | 6 | 28.7 | 18 | 9 |
| 30 | CN15030R01 | 47.1 | 45.0 | 25 | 10 | 35 | 12 | 39.7 | 22.5 | 12 |
| 16 | CN02016R01 | 34.8 | 32.0 | 20 | 9 | 25 | 10 | 28.8 | 17 | 9.3 |
| 20 | CN02020R01 | 42.8 | 40.0 | 27 | 12 | 32 | 8 | 35.7 | 22 | 12 |
| 30 | CN02030R01 | 62.8 | 60.0 | 30 | 16 | 50 | 12 | 47.8 | 27 | 12.8 |
| 16 | CN25016R01 | 43.5 | 40.0 | 27 | 10 | 30 | 12 | 37.3 | 22 | 13.3 |
| 20 | CN25020R01 | 53.5 | 50.0 | 30 | 12 | 38 | 12 | 45.9 | 27 | 16 |
| 30 | CN25030R01 | 78.5 | 75.0 | 35 | 18 | 50 | 14 | 59.1 | 32 | 16 |
| 16 | CN03016R01 | 52.2 | 48.0 | 30 | 12 | 38 | 11 | 44.2 | 26 | 16.2 |
| 20 | CN03020R01 | 64.2 | 60.0 | 35 | 18 | 44 | 14 | 51.1 | 31 | 13.6 |
| 30 | CN03030R01 | 94.2 | 90.0 | 40 | 22 | 60 | 20 | 68.1 | 36 | 19 |
| 20 | CN35020R01 | 74.9 | 70.0 | 40.5 | 22 | 56 | 14 | 58.6 | 36 | 19 |



Rapporto 1:2

Ratio 1:2 Verhältnis 1:2 Rapport 1:2 Relación 1:2

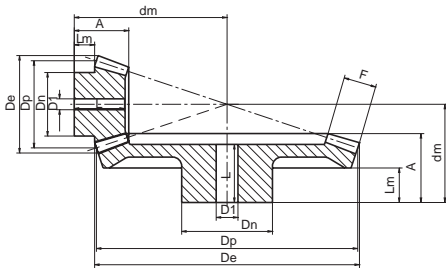
M 1.5

M 2

M 2.5

M 3

| Z | COD | De | Dp | A | F | Dn | D1 | dm | L | Lm |
|----|------------|------|----|------|----|----|----|------|------|------|
| 16 | CN15016R02 | 26.7 | 24 | 18.5 | 8 | 18 | 8 | 34.9 | 17 | 10.3 |
| 32 | CN15032R02 | 49.3 | 48 | 20 | 8 | 32 | 12 | 27.5 | 17.5 | 10 |
| 16 | CN02016R02 | 35.6 | 32 | 23 | 10 | 24 | 10 | 45.4 | 21 | 12.2 |
| 32 | CN02032R02 | 65.8 | 64 | 25 | 10 | 40 | 12 | 35.2 | 22 | 10 |
| 16 | CN25016R02 | 44.4 | 40 | 27.5 | 12 | 30 | 12 | 56.0 | 25 | 14.4 |
| 32 | CN25032R02 | 82.2 | 80 | 30 | 12 | 50 | 15 | 43.5 | 26.5 | 10 |
| 16 | CN03016R02 | 53.4 | 48 | 28 | 15 | 40 | 14 | 61.6 | 25 | 11.6 |
| 32 | CN03032R02 | 98.7 | 96 | 33 | 15 | 60 | 15 | 50.4 | 30.5 | 15 |



Rapporto 1:3

Ratio 1:3 Verhältnis 1:3 Rapport 1:3 Relación 1:3

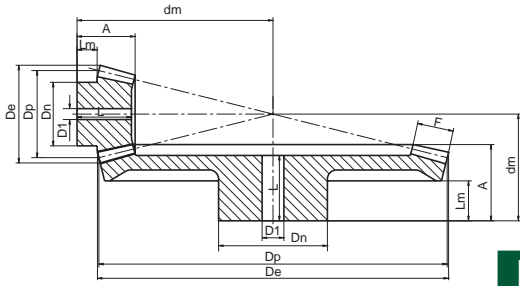
M 1.5

M 2

M 2.5

M 3

| Z | COD | De | Dp | A | F | Dn | D1 | dm | L | Lm |
|----|------------|-------|-----|------|----|----|----|------|----|------|
| 16 | CN15016R03 | 26.9 | 24 | 22 | 12 | 20 | 8 | 46.3 | 21 | 9.7 |
| 48 | CN15048R03 | 72.9 | 72 | 21 | 12 | 42 | 15 | 29.2 | 19 | 12 |
| 16 | CN02016R03 | 35.8 | 32 | 25.5 | 15 | 25 | 10 | 58.9 | 24 | 9.4 |
| 48 | CN02048R03 | 97.3 | 96 | 26 | 15 | 50 | 15 | 35.9 | 22 | 13 |
| 16 | CN25016R03 | 44.7 | 40 | 28 | 18 | 34 | 14 | 70.4 | 26 | 9.2 |
| 48 | CN25048R03 | 121.6 | 120 | 32 | 18 | 60 | 20 | 44.6 | 27 | 16 |
| 16 | CN03016R03 | 53.7 | 48 | 30 | 18 | 35 | 10 | 84.2 | 28 | 11.2 |
| 48 | CN03048R03 | 145.9 | 144 | 38 | 18 | 50 | 20 | 54.1 | 32 | 19 |



Rapporto 1:4

Ratio 1:4 Verhältnis 1:4 Rapport 1:4 Relación 1:4

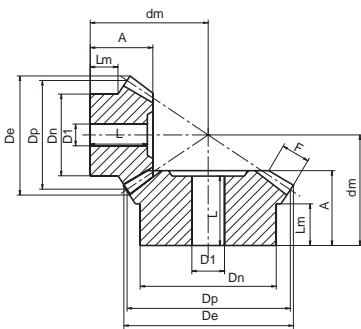
M 1.5

M 2

M 2.5

M 3

| Z | COD | De | Dp | A | F | Dn | D1 | dm | L | Lm |
|----|------------|-------|-----|------|----|----|----|------|----|------|
| 16 | CN15016R04 | 26.9 | 24 | 25 | 12 | 18 | 10 | 61.1 | 24 | 12.2 |
| 64 | CN15064R04 | 96.7 | 96 | 25 | 12 | 60 | 15 | 33 | 22 | 13 |
| 16 | CN02016R04 | 35.9 | 32 | 24 | 15 | 25 | 12 | 73.1 | 23 | 8.5 |
| 64 | CN02064R04 | 129 | 128 | 28 | 15 | 70 | 20 | 38.9 | 24 | 14 |
| 16 | CN25016R04 | 44.9 | 40 | 30.5 | 18 | 32 | 15 | 92.6 | 29 | 11.7 |
| 64 | CN25064R04 | 160 | 160 | 35 | 18 | 80 | 20 | 48.8 | 30 | 16 |
| 16 | CN03016R04 | 53.8 | 48 | 32 | 20 | 35 | 10 | 108 | 30 | 11.1 |
| 64 | CN03064R04 | 193.5 | 192 | 42 | 20 | 60 | 19 | 58.8 | 36 | 22 |



Rapporto 1:1.5

Ratio 1:1.5 Verhältnis 1:1;5 Rapport 1:1.5 Relación 1:1.5

M 2

| Z | COD | De | Dp | A | F | Dn | D1 | dm | L | Lm |
|----|------------|------|----|----|----|----|----|------|------|------|
| 20 | CN02020R15 | 43.3 | 40 | 23 | 10 | 30 | 8 | 43.3 | 23 | 10.2 |
| 30 | CN02030R15 | 62.2 | 60 | 27 | 10 | 50 | 11 | 40.6 | 27.5 | 15.2 |